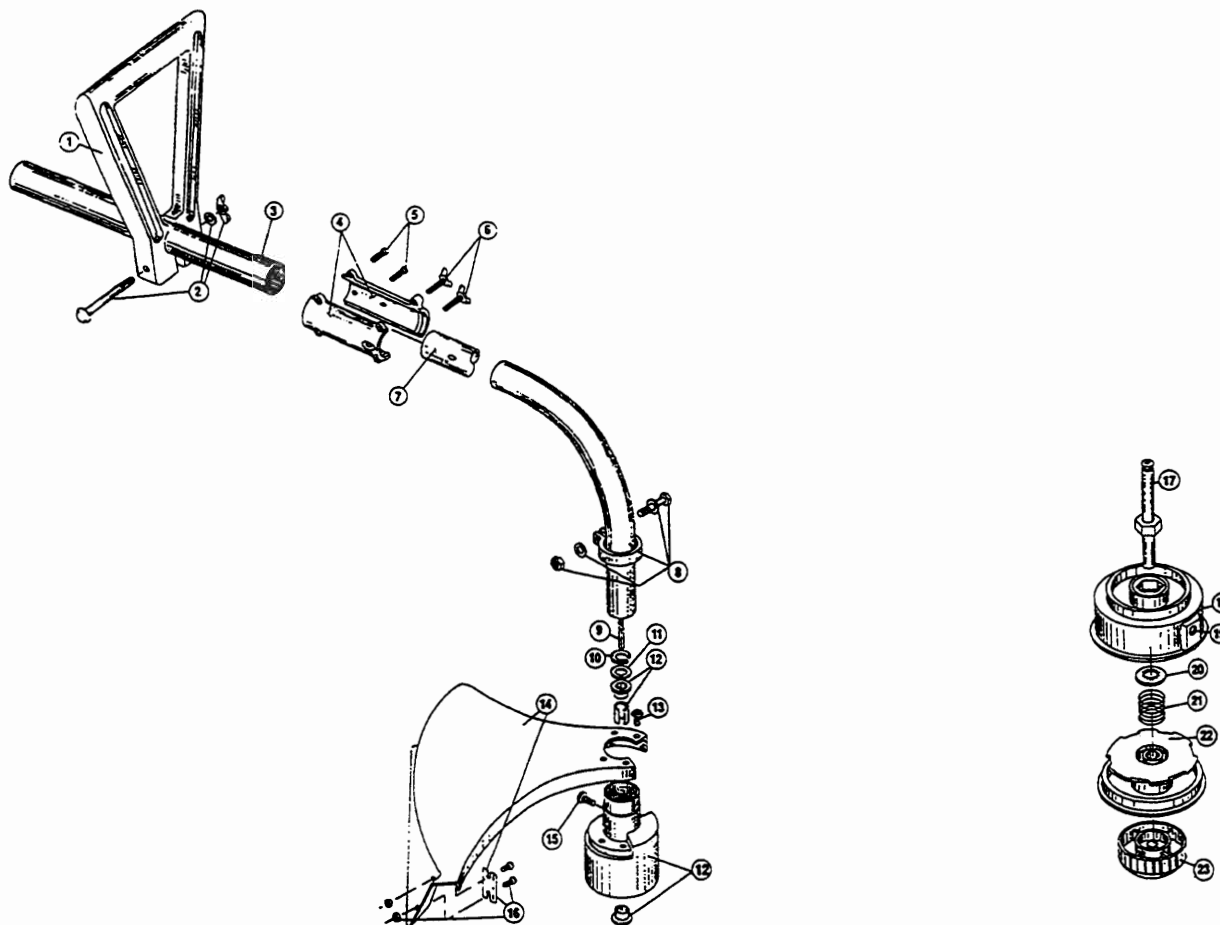


| Item | Part No. | Description |
|------|----------|---------------------------|
| 1 | 180300 | Motor Cover Screw Set |
| 2 | 145569 | Anti-Rotation Screw |
| 3 | 180301 | Motor Housing Assembly |
| 4 | 180302 | Two-Speed Switch Assembly |
| 5 | 180150 | Switch Assembly |
| 6 | 180151 | Trigger |

| Item | Part No. | Description |
|------|----------|----------------|
| 7 | 180305 | Terminal Block |
| 8 | 612468 | Spring |
| 9 | 180152 | Driver |
| 10 | 180154 | Motor |
| 11 | 180155 | Cooling Fan |
| 12 | 180156 | Power Cord |

The above part numbers are for serial numbers 110245626 thru 301035200.

BOOM & TRIMMER PARTS - IDC 130



| Item | Part No. | Description |
|------|----------|------------------------------------|
| 1 | 145568 | D-Handle |
| 2 | 153317 | D-Handle Hardware Assembly |
| 3 | 180309 | Upper Drive Shaft Housing Assembly |
| 4 | 683605 | Split-Boom Coupling Set |
| 5 | 683606 | Coupling Bolt Assembly |
| 6 | 683607 | Adjustment Knob Set |
| 7 | 683604 | Lower Drive Shaft Housing Assembly |
| 8 | 153597 | Lower Clamp Assembly |
| 9 | 683608 | Lower Flexible Drive Shaft |
| 10 | 145570 | Retaining Ring |
| 11 | 145567 | Washer |
| 12 | 153312 | Bushing Housing Assembly |
| 13 | 153318 | Guard Mounting Screw Assembly |
| 14 | 683274 | Guard and Blade Assembly |
| 15 | 145569 | Anti-Rotation Screw |
| 16 | 682601 | Blade Assembly |
| 17 | 153313 | Spool Shaft |
| 18 | 153619 | Outer Spool and Eyelet Assembly |

| Item | Part No. | Description |
|------|----------|-------------------------|
| 19 | 145566 | Eyelet |
| 20 | 610660 | Retainer (10 pack) |
| 21 | 610317 | Spring |
| 22 | 153600 | Inner Reel |
| 23 | 153066 | Bump Head Knob Assembly |

Optional Accessories

- 610375 Monofil Cutting Line, (50 ft.)
- 153577 Spool and Line, (30 ft.)
- 682075 Shoulder Strap Assembly
- 147823 Replacement Head Assembly (items 12, 14-27)

• not shown